

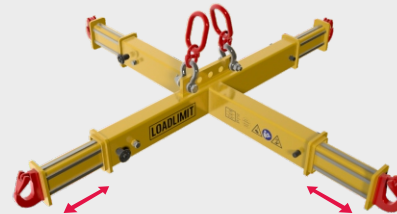


Low profile design

The optional upwardly offset load hooks significantly reduce the vertical distance between the crane and load support.

Adjustable grab width

The version with adjustable gripping width enables the use of big bags / FIBCs with a width of 75-80 cm and 90-97 cm.



Crane suspension

Choose between a crane eye, rings for single or double hooks or shackles on a perforated bar.

Material / surface

The big bag lifting beam is available in painted steel (standard), galvanised or stainless steel (with profile hooks).



LOADLIMIT

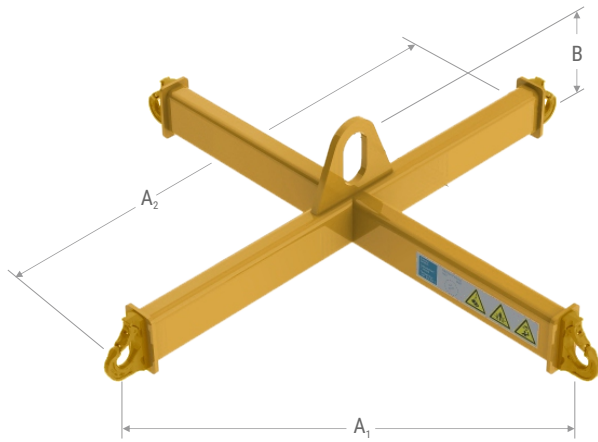


TBB

**Big Bag
lifting beam**



 Quality
 Made in Germany



TBB Big Bag lifting beam

The big bag lifting beam with four sturdy weld-on hooks enables easy and safe lifting and transport of big bags.

This lifting beam is available in two gripping widths (fixed or adjustable), optionally with upwards offset load hooks, various crane mounts and a load capacity of up to two tonnes.

As an alternative to the painted standard version, we also offer big bag lifting beams in galvanised or stainless steel.

Type	Load kg	A ₁ mm	A ₂ mm	B mm	Weight kg
TBB 1,0 / 775	1000	775	1.096	220 (112)	43
TBB 1,0 / 935	1000	935	1.322	220 (112)	49
TBB 2,0 / 775	2000	775	1.096	220 (112)	44
TBB 2,0 / 935	2000	935	1.322	220 (112)	50

Notes & Standards

DIN EN 13155, directive 2006/42/EG, DIN EN ISO 12100, DGUV rule 109-017, eyelets for crane hooks according to DIN 15401, Inspection before initial commissioning is made by a competent inspector of the client.

Application range: Load change up to 16,000, Temperature -20° to +80° C

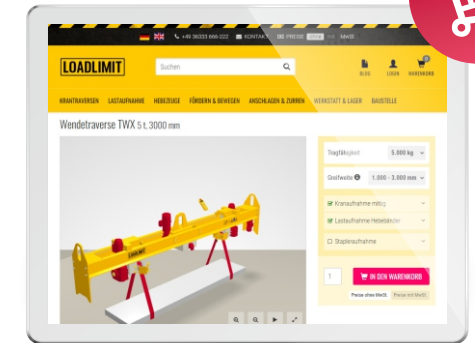
Warranty 12 months after delivery (wearing parts excluded). Delivery with documentation (type plate with CE marking and test book - EC declaration of conformity, test certificates, operating instructions and release drawing).

Customized products

Deviating from our standard models we also produce according to your special requirements.

Standard versions

- For Big-Bag/FIBC 75-80 cm and 90-97 cm
- Different crane mounts available
- Optional low height (offset load hooks)
- Painted steel, galvanised or stainless steel



LOADLIMIT.COM

Configure lifting beams online



ONLINE-SHOP
LOADLIMIT.COM



TELEPHONE
+49 36333 666-222

LOADLIMIT®
Nordhäuser Straße 2
99765 Heringen
Germany